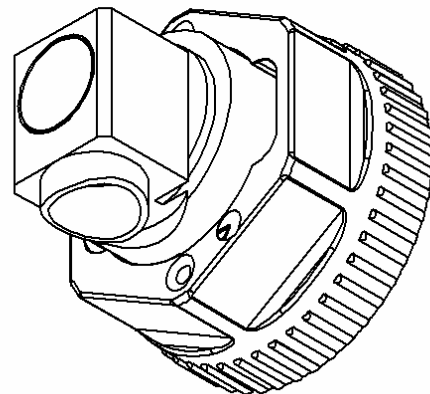
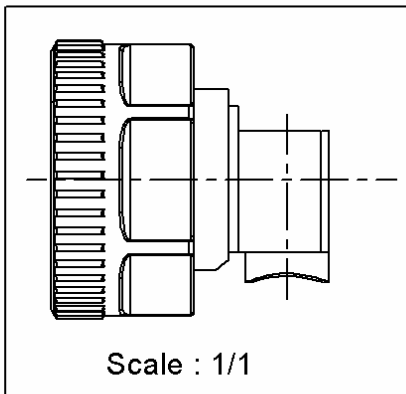
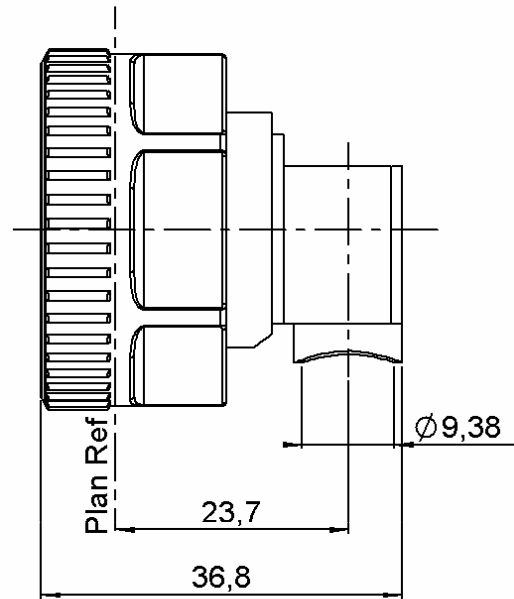
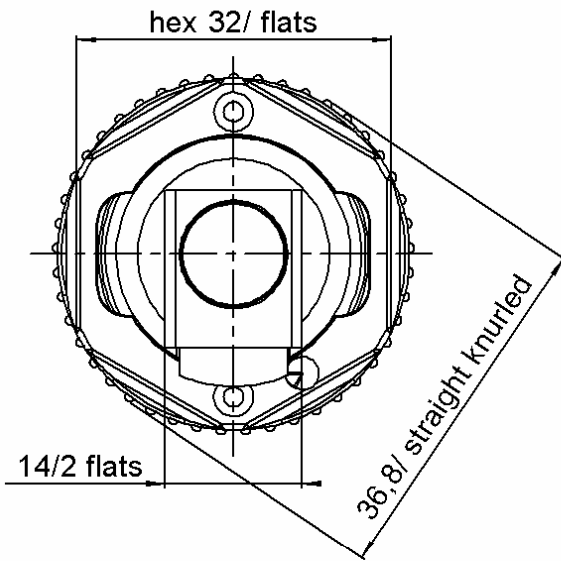


RIGHT ANGLE PLUG SOLDER TYPE

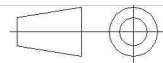
R187.710.210

CABLE 3/8"

Series : 7/16
COMPOSITE



All dimensions are in mm.



COMPONENTS	MATERIALS	PLATING (µm)
BODY	BRASS	BBR 0.5 OVER SILVER 3
CENTER CONTACT	BRASS	SILVER 5 OVER COPPER 0.5
OUTER CONTACT	BRASS	BBR 0.5 OVER SILVER 3
INSULATOR	PTFE	
GASKET	SILICONE RUBBER	
OTHERS PARTS	COMPOSITE MATERIAL - BLACK	
-	-	-
-	-	-

Issue : 0942 A

In the effort to improve our products, we reserve the right to make changes judged to be necessary.



RIGHT ANGLE PLUG SOLDER TYPE

R187.710.210

CABLE 3/8"

Series : 7/16
COMPOSITE

PACKAGING

Standard	Unit	Other
20	'W' option	Contact us

SPECIFICATION

ELECTRICAL CHARACTERISTICS

Impedance	50	Ω
Frequency	0-7.5	GHz
VSWR	*1.15 + 0,0000	x F(GHz) Maxi
Insertion loss	0.05	\sqrt{F} (GHz) dB Maxi
RF leakage	- (NA)	- F(GHz)) dB Maxi
Voltage rating	1400	Veff Maxi
Dielectric withstanding voltage	2700	Veff mini
Insulation resistance	10000	M Ω mini

CABLE ASSEMBLY

Stripping	a	b	c	d	e	f
mm	0,00	0,00	0,00	0,00	0,00	0,00

Assembly instruction : **NA**

Recommended cable(s)
FSJ2RN-50A - 3/8»
HCF 3/8» CuH

MECHANICAL CHARACTERISTICS

Center contact retention		
Axial force – Mating end	200	N mini
Axial force – Opposite end	100	N mini
Torque	NA	N.cm mini

Characteristics indicated on this data sheet are those that can be achieved with the highest performance cable. Intrinsic limitations of the cable may diminish the performance of the assembly

Cable retention

- pull off	250	N mini
- torque	NA	N.cm

TOOLING

Recommended torque		
Mating	2000	N.cm
Panel nut		N.cm
Clamp nut		N.cm
A/F clamp nut	0,0000	mm

Part Number	Description	Hexagon
.	.	.

Mating life (with composite)	50	Cycles mini
Mating life (with brass)	100	Cycles mini
Weight	73,6200	g

OTHER CHARACTERISTICS

*V.S.W.R : DC-3GHz
**PIM3: -110dBm(2 carries of +43dB)
Interface ingress protection : IP67

ENVIRONMENTAL

Operating temperature	-40/+85	$^{\circ}$ C
Hermetic seal		Atm.cm3/s
Panel leakage		

Issue : 0942 A

In the effort to improve our products, we reserve the right to make changes judged to be necessary.

